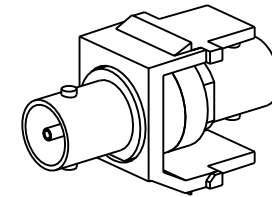
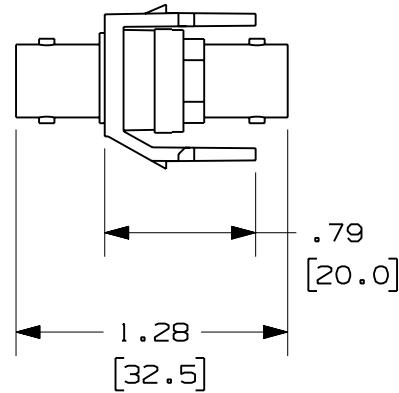
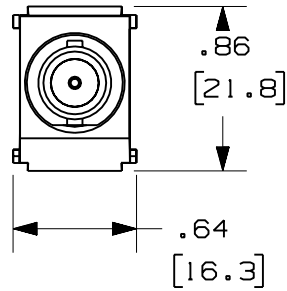


THIS COPY IS PROVIDED ON A RESTRICTED BASIS AND IS NOT TO BE USED IN ANY WAY DETRIMENTAL TO THE INTERESTS OF PANDUIT CORP.

PANDUIT P/N	WEIGHT
NKBNCM**Y	.36 LB/10 PCS (165 g/10 PCS)

NOTES:

- SEE CURRENT CATALOG FOR ADDITIONAL PART NUMBER SUFFIXES TO INDICATE COLOR AND OR PACKAGE QUANTITY.
- SEE CATALOG FOR COMPLETE LIST OF PARTS APPLICABLE FOR USE WITH THIS PART.
- DIMENSIONS IN PARENTHESSES ARE IN METRIC.
- PART INCLUDES:
 - 1- MODULE BASE
 - 1- BNC COUPLER (ASSEMBLED TO MODULE BASE)



MODEL FILENAME	M00661ZG_BNC_03.PRT	SIZE	A
DRAWING FILENAME	M02479HU_205_00A.PRT		

NETKEY 50ohm BNC COUPLER
MODULE CUSTOMER DRAWING

<p>PANDUIT® CORP. TINLEY PARK, IL 60477</p>	I.I. NUMBER	N/A
	PRODUCT SPEC	N/A
<p>THIRD ANGLE PROJECTION</p> <p>ALL DIMENSIONS ARE GIVEN IN INCHES, UNLESS OTHERWISE SPECIFIED.</p> <p>DIMENSIONAL TOLERANCES ARE: (.X) ±.03 (.XXX) ±.005 (.XX) ±.01 ANGLES ± 1°</p>	WORK INSTRUCTION	N/A
	SCALE	NONE
DRAWN BY JsP	MATERIAL:	PART NO. NKBNCM**Y
DATE 4-24-06	ABS	DRAWING NO. 02479-205
CHK'D		

REV	DATE	BY	CHK	DESCRIPTION	ECN	R	CUST	SUP	OTH
R	4-24-06	JsP		RELEASED TO PRODUCTION	02479-205				